

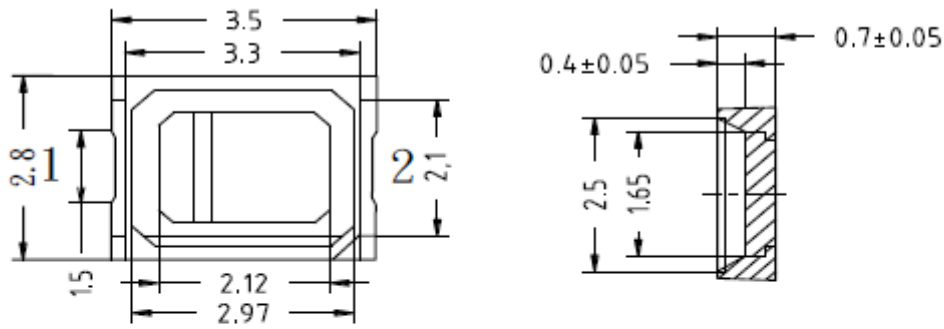


SHARLIGHT ELECTRONICS CO., LTD.

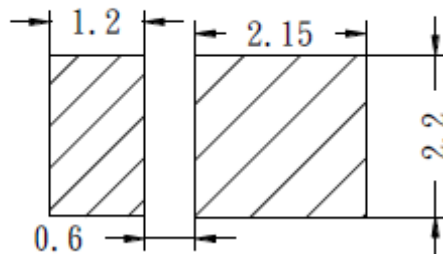
SPECIFICATION FOR APPROVAL

Part No. : SLM-2835NY4A-A22-EC (WARM WHITE)

Package Dimensions



RECOMMEND PADLAYOUT



Part NO.	Chip Material	Lens Color	Emission Color
SLM-2835NY4A-A22-EC	InGaN	-	Warm White

Notes:

1. All dimensions are in millimeters (inches).
2. Tolerance is $\pm 0.25\text{mm}(.010\text{'})$ unless otherwise noted.
3. Specifications are subject to change without notice.



SHARLIGHT ELECTRONICS CO., LTD.

SPECIFICATION FOR APPROVAL

Part No. : SLM-2835NY4A-A22-EC (WARM WHITE)

Absolute Maximum Ratings at TA=25°C

Parameter	Maximum Rating	Unit
Forward Current	100	mA
Power Dissipation	216	mW
Reverse Voltage	5	V
Operating Temperature Range	-40°C to + 80°C	
Storage Temperature Range	-40°C to + 100°C	
Soldering Temperature	260°C for 5 Seconds	

Electrical / Optical Characteristics at TA=25°C

Parameter	Symbol	Min.	Typ.	Max.	Unit	Test Condition
Lumen	Φ		19		lm	IF =60mA
Wavelength	X		0.4398			IF =60mA
	Y		0.4048			
Viewing Angle	2θ 1/2		120		deg	IF =60mA
Forward Voltage	VF		3.1	3.6	V	IF =60mA
Reverse Current	IR			10	μA	Vr = 5v
Color Rendering Index	CRI		80		%	IF =60mA
Color Temperature	CCT		2960		K	IF =60mA

Range of bins

Bin	B	C	D	E	F	G	H	I
VF(V)	2.8-2.9	2.9-3.0	3.0-3.1	3.1-3.2	3.2-3.3	3.3-3.4	3.4-3.5	3.5-3.6
Bin	15	16	17					
LM(lm)	18-20	20-22	22-24					
Bin								
WL	7B1/2	8A1/2						

LISTER: 王貴蘭 10-04-13

EDITOR: 周素華 10-04-13

DATE: 10-04-13

REV: A

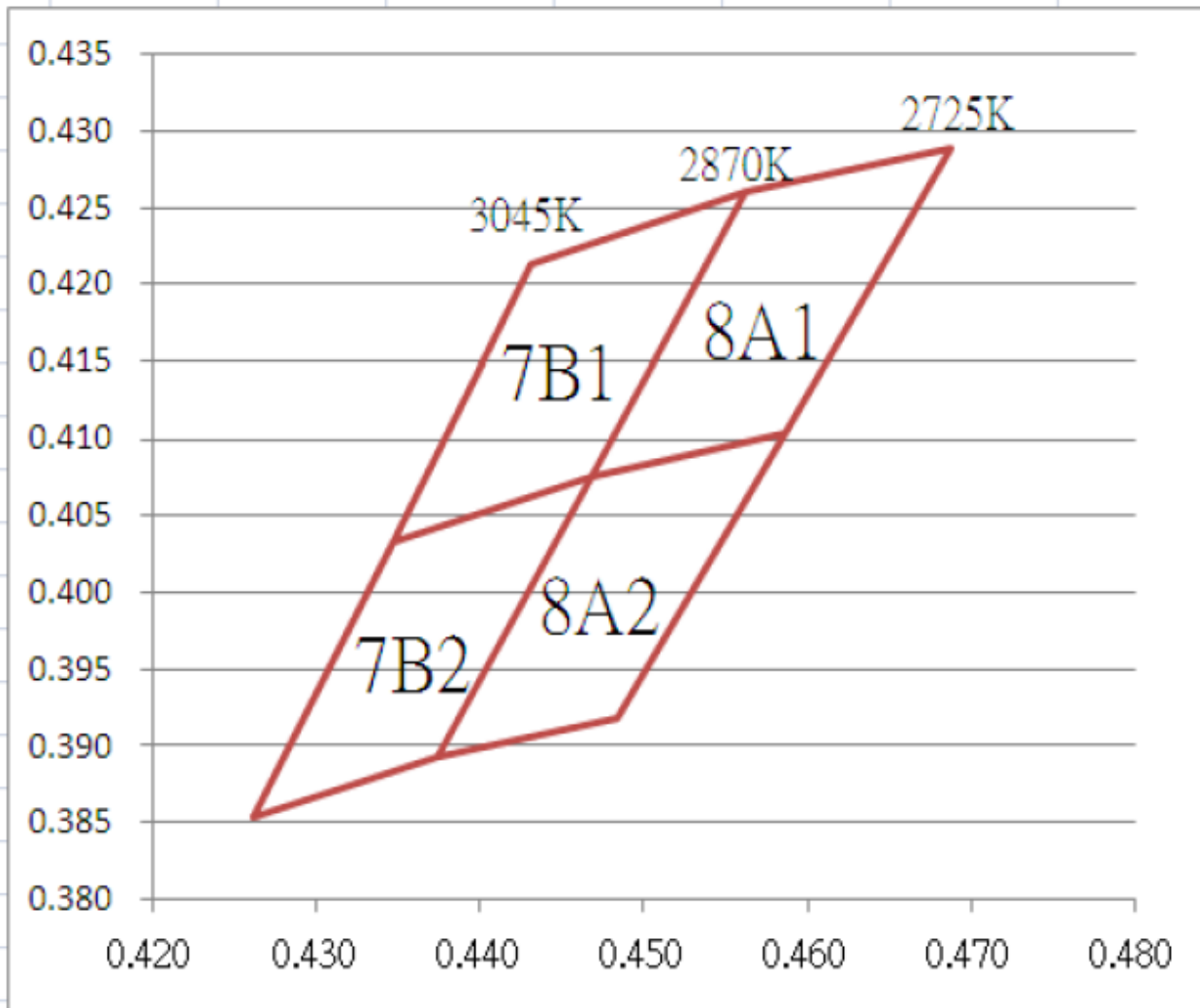


SHARLIGHT ELECTRONICS CO., LTD.

SPECIFICATION FOR APPROVAL

Part No. : SLM-2835NY4A-A22-EC (WARM WHITE)

■ Color Coordinate Comparison



BIN 碼	X	Y	X	Y	X	Y	X	Y
7B1	0.4562	0.4260	0.4430	0.4213	0.4345	0.4033	0.4467	0.4076
7B2	0.4467	0.4076	0.4345	0.4033	0.4260	0.3854	0.4373	0.3893
8A1	0.4687	0.4289	0.4562	0.4260	0.4467	0.4076	0.4585	0.4104
8A2	0.4585	0.4104	0.4467	0.4076	0.4373	0.3893	0.4483	0.3918

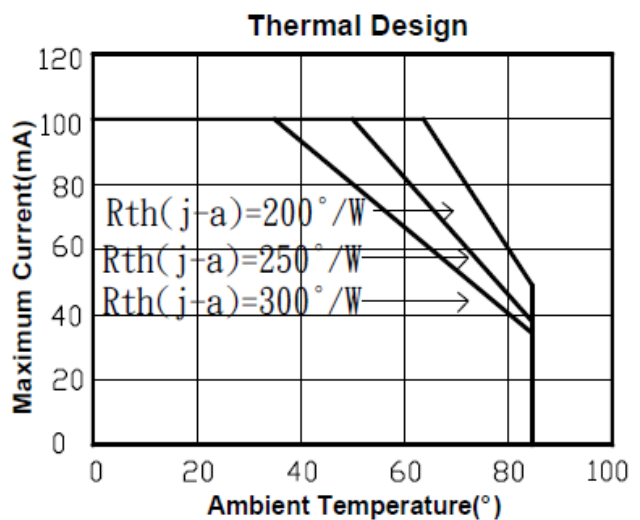
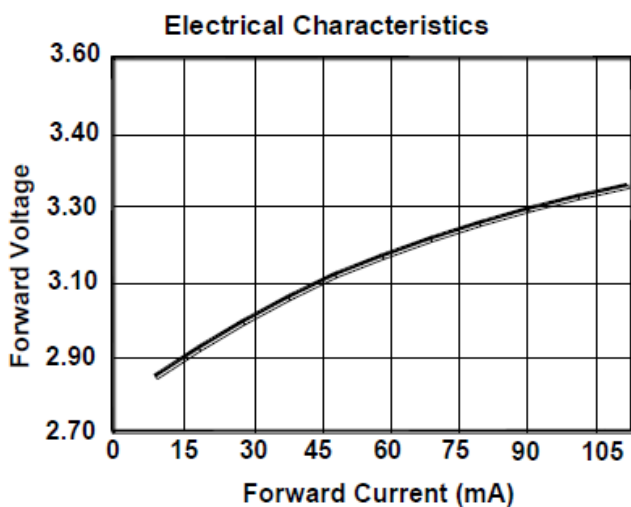
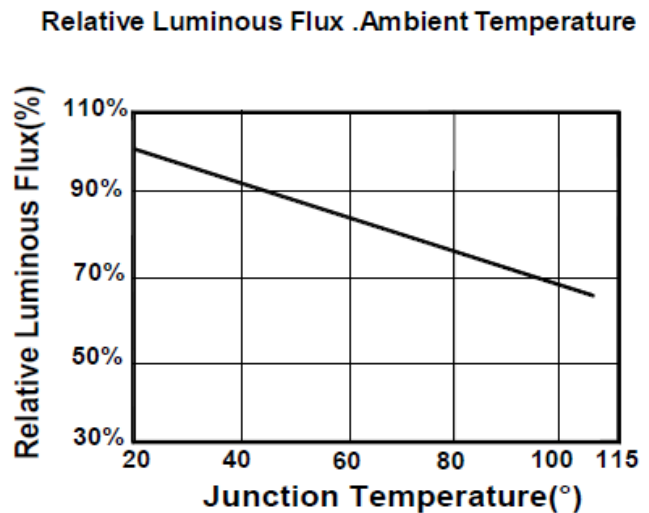
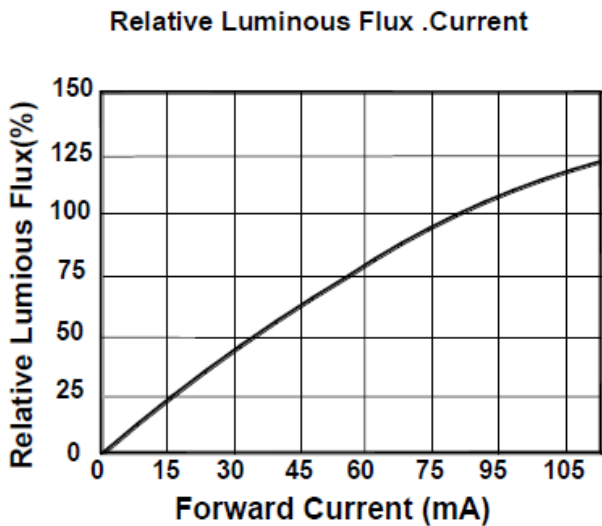
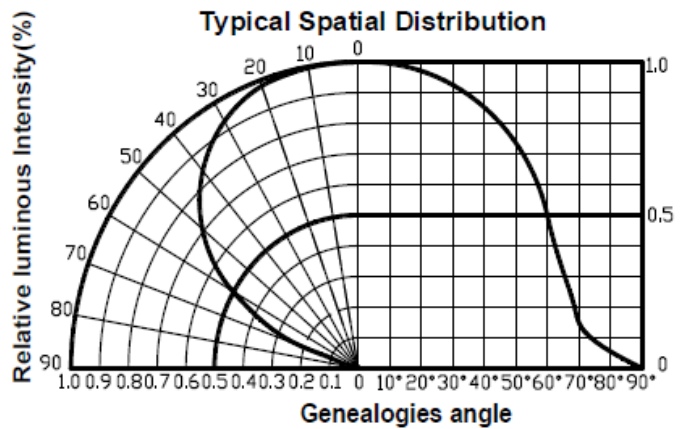
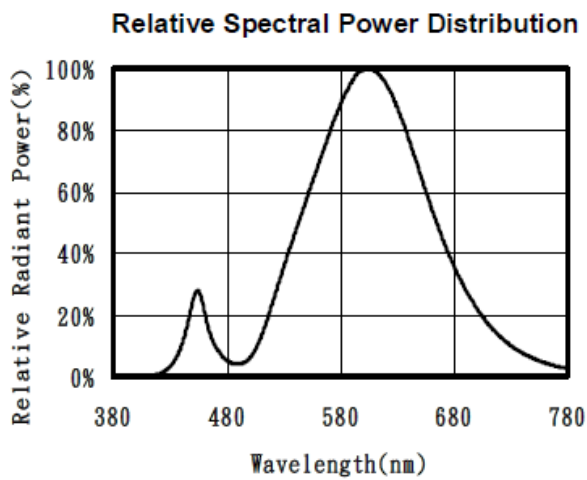


SHARLIGHT ELECTRONICS CO., LTD.

SPECIFICATION FOR APPROVAL

Part No. : SLM-2835NY4A-A22-EC (WARM WHITE)

Optical Characteristics-1



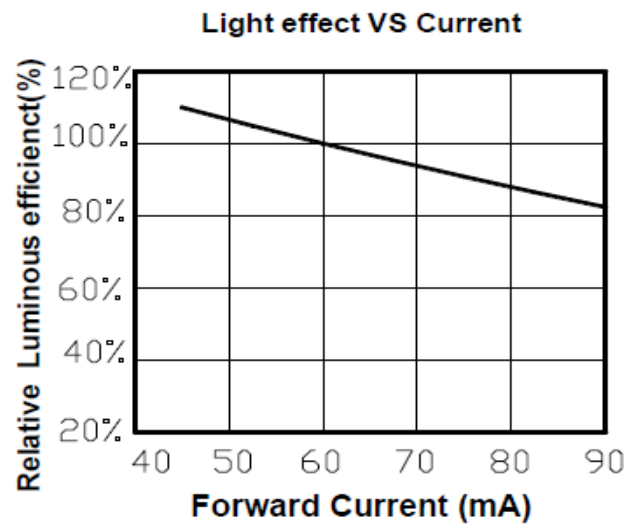
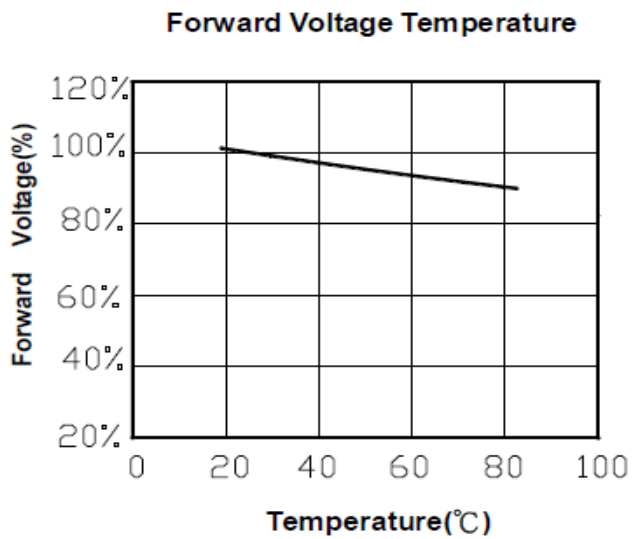


SHARLIGHT ELECTRONICS CO., LTD.

SPECIFICATION FOR APPROVAL

Part No. : SLM-2835NY4A-A22-EC (WARM WHITE)

Optical Characteristics-2



Test items and results of reliability

Type	Test Item	Test Standard	Test Conditions	Note	Number of Damaged
Environmental Sequence	Temperature Cycle	JEITA ED-4701 300 303	-40°C 30min ↑↓5 min 100°C 30min	100 cycle	0/50
	Thermal Shock	JEITA ED-4701 200 303	-10°C 15min ↑↓5sec 100°C 15min	20 cycle	0/22
	High Temperature Storage	JEITA ED-4701 200 201	T _a =100°C	1000 hrs	0/22
	Humidity Heat Storage	JEITA ED-4701 100 103	T _a =60°C RH=90%	1000 hrs	0/22
	Low Temperature Storage	JEITA ED-4701 200 202	T _a =-40°C	1000 hrs	0/22
Operation Sequence	Life Test	Tested with Brightek standard	T _a =25°C I _F =60mA	1000 hrs	0/22
	High Humidity Heat Life Test	Tested with Brightek standard	60°C RH=90% I _F =30mA	500 hrs	0/22
	Low Temperature Life Test	Tested with Brightek standard	T _a =-30°C I _F =60mA	1000 hrs	0/22

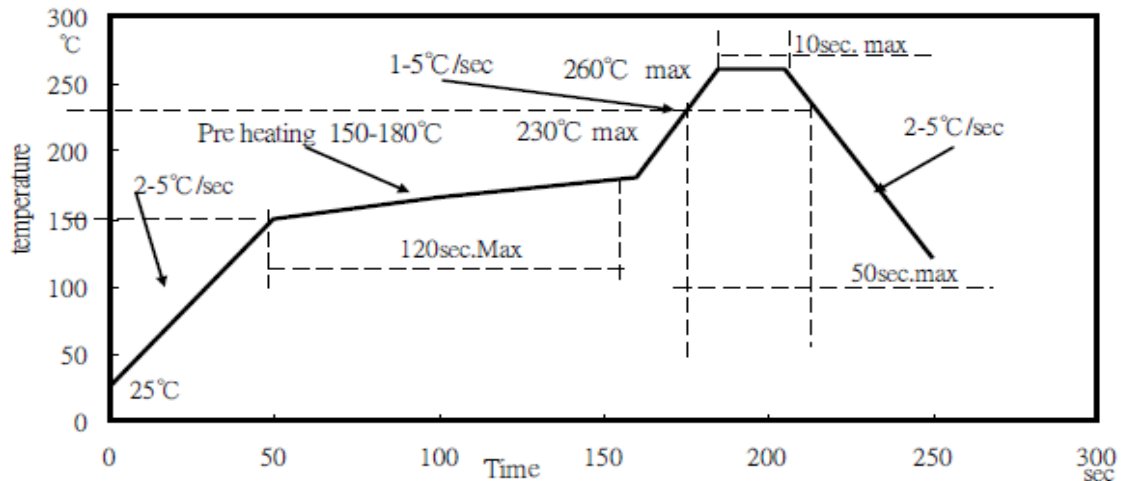


Part No. : SLM-2835NY4A-A22-EC (WARM WHITE)

Reflow Profile

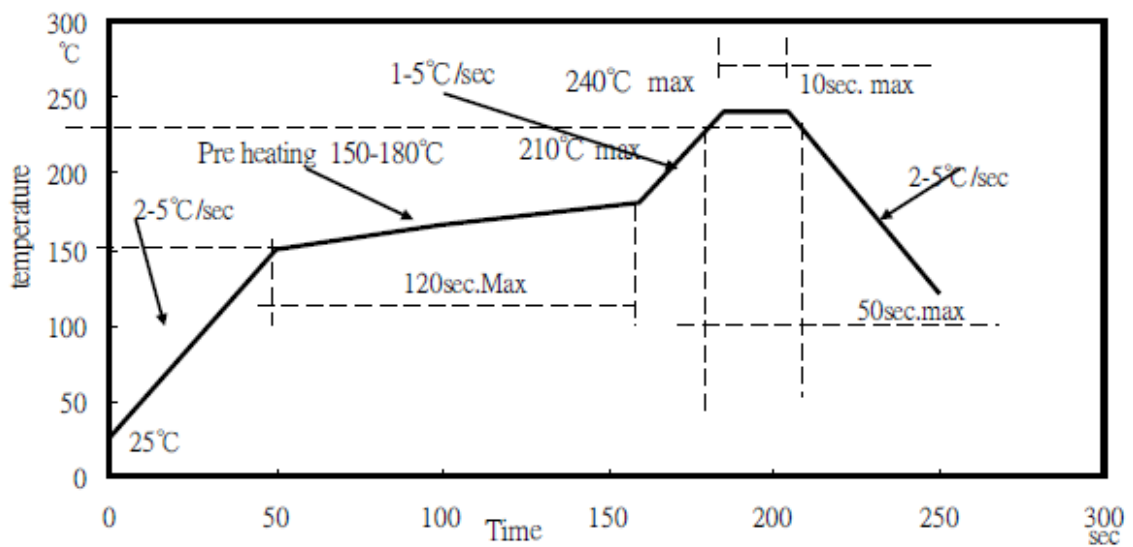
1. IR reflow soldering Profile

Lead Free solder



2. IR reflow soldering Profile

Lead solder



NOTES:

1. We recommend the reflow temperature 240°C (±5°C). the maximum soldering temperature should be limited to 260°C.
2. Don't cause stress to the silicone resin while it is exposed to high temperature.
3. Number of reflow process shall be 1 time.



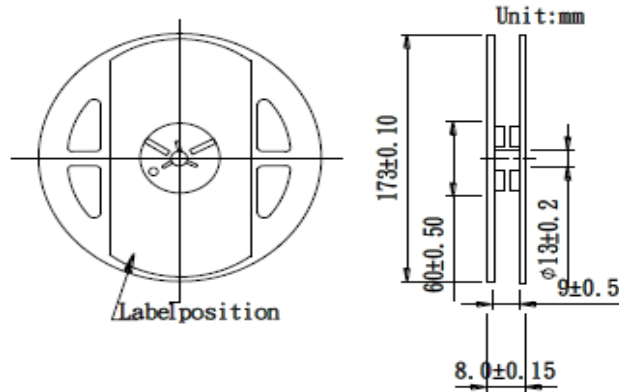
SHARLIGHT ELECTRONICS CO., LTD.

SPECIFICATION FOR APPROVAL

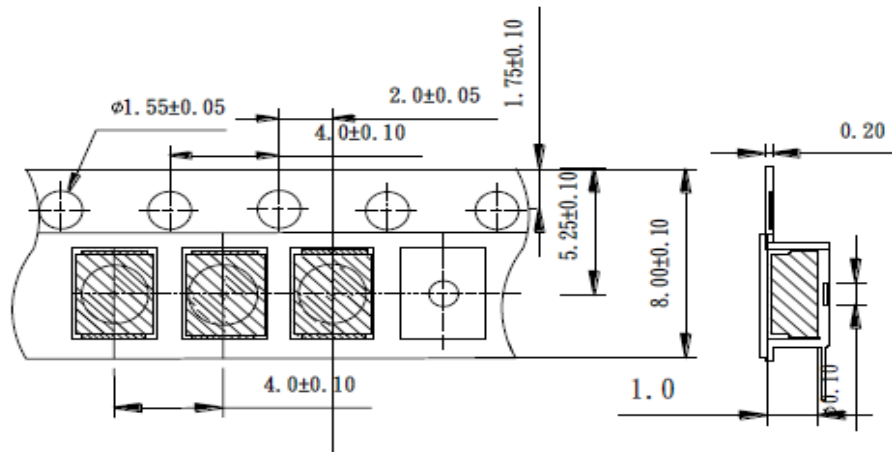
Part No. : SLM-2835NY4A-A22-EC (WARM WHITE)

■ Packing

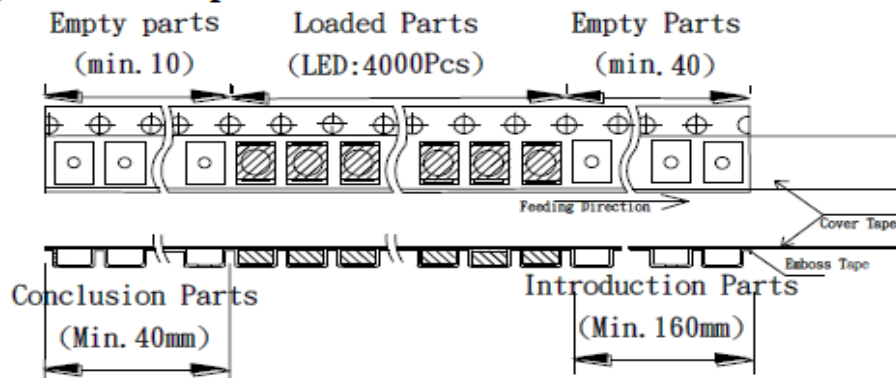
● Dimensions of Reel (Unit: mm)



● Dimensions of Tape (Unit: mm)



● Arrangement of Tape



NOTES

1. Empty component pockets are sealed with top cover tape;
2. The maximum number of missing smd is two;
3. The cathode is oriented towards the tape sprocket hole in accordance with ANSI/EIA RS-481 specifications;
4. 4,000pcs/Reel



SHARLIGHT ELECTRONICS CO., LTD.
SPECIFICATION FOR APPROVAL

Part No. : SLM-2835NY4A-A22-EC (WARM WHITE)

※Note :

Recommended storage conditions :

1. Storage Condition:

- a. don't open the sealed bag until the Reflow Soldering ◦
- b. before open the sealed bag, please keep bag at Ambient Temperature from 5 to 25°C and Relative Humidity < 60% ◦
- c. storage life: within 6 months ◦

2. Once overdue the storage life or after open the sealed bag for 12 hours , the LED has to be oven at 70°C for 24 hours before the Reflow Soldering ◦

3. After oven the LED, the Reflow Soldering has to be completed within 12 hours. ◦

Otherwise, the oven LED has to be sealed in bag again and storage at Ambient Temperature of 23 +/- 5°C & RH 5~30% ◦